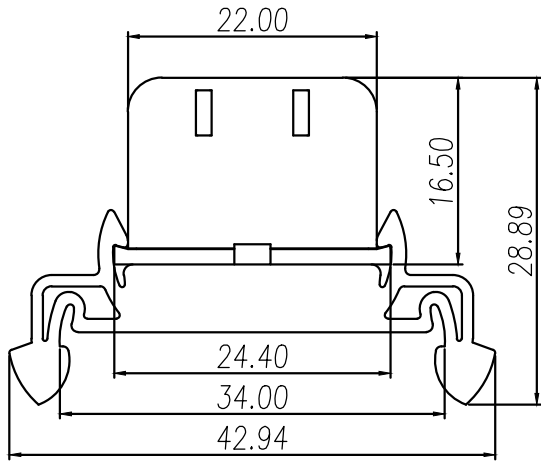
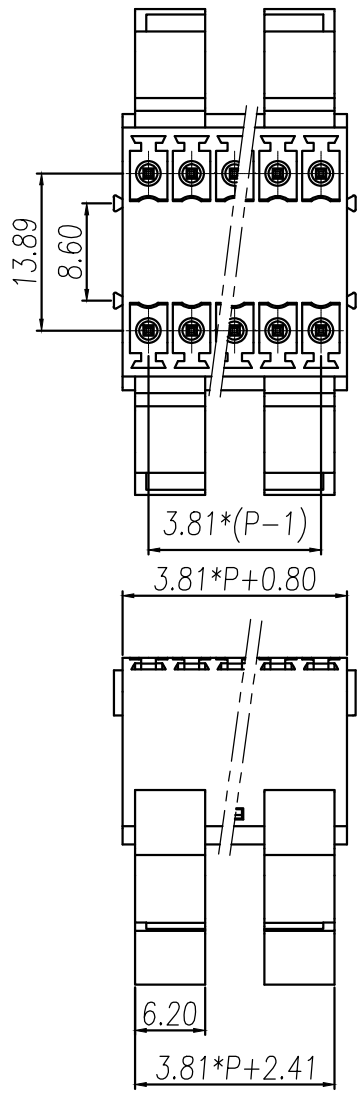


REVISION RECORD			
REV.	CONTENT	MOD.	DATE
△	初版发行		



NOTES:
 Pitch : 3.81mm
 Rated Voltage : 300V
 Rated Current : 8A
 Withstand Voltage :
 AC2500V for 1 minute
 Using Temperature Range :
 -40°C ~ +105°C
 Wire range : 28~16AWG

技术要求:
 间距: 3.81mm
 额定电压: 300V
 额定电流: 8A
 耐电压值: AC2500V/min
 使用条件: -40°C~+105°C
 适用线规: 28~16AWG

	pitch dimension			Nominal dimension					—
	over 0 to 6	over 6 to 10	over 10 to 24	over 0 to 30	over 30 to 60	over 60 to 100	over 100 to 150	□	
variable range	0 to 6	6 to 10	10 to 24	0 to 30	30 to 60	60 to 100	100 to 150	○	
Tolerance	±0.1	±0.15	±0.25	±0.2	±0.3	±0.5	±0.7	±1.0	0.05/10

4	KJ2452-卡脚	6TB1J300153V	2	PA66-V0	
3	LDZ3-1.5针	1184I0001AV	P	黄铜	镀镍
2	LD2K-1.5-盖板	1181C0YXXAV	1	PA66-V0	
1	LDZ3-1.5-主体	1184A0YXXAV	1	PA66-V0	
NO.	NAME OF PART	NO. OF PART	Q'TY	MATERIAL	NOTES
DES.	CMZ	DATE	2025/11/27	UNITS	MM
CHK.		DATE		SIZE	A4
APP.		DATE		SCALE	1:1
				DWG NO.	SP-1-1181140
				REV:	V0
 上海联捷电气有限公司 Shanghai Elinker Electric Co.,LTD				TITLE	LD700K-3.81-XXP-1Y-00A
					LD700K-3.81-成品