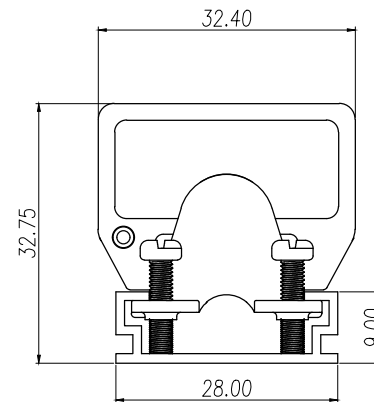
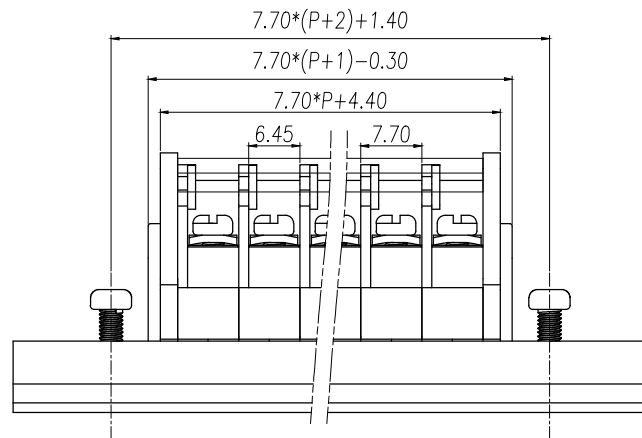
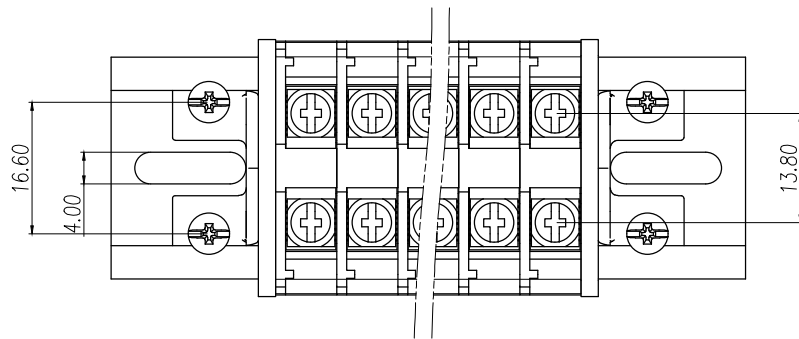


| REVISION RECORD | | | |
|-----------------|---------|------|------|
| REV. | CONTENT | MOD. | DATE |
| △ | 初版发行 | | |



技术要求:

间距: 7.70mm

额定电压: 660V

额定电流: 17.5A

螺钉类型: M3

绝缘材料类型: PC

阻燃等级: V0

导线截面: 0.3~2.0mm²

适用线规: 22~14AWG

| | pitch dimension | | | Nominal dimension | | | | | — ▱ ⤿ |
|----------------|----------------------|-----------------------|------------------------|-----------------------|------------------------|-------------------------|--------------------------|------|-------------|
| | over 0 to 6 | over 6 to 10 | over 10 to 24 | over 0 to 30 | over 30 to 60 | over 60 to 100 | over 100 to 150 | | |
| variable range | ±0.1 | ±0.15 | ±0.25 | ±0.2 | ±0.3 | ±0.5 | ±0.7 | ±1.0 | 0.05/10 |

| | | | | | |
|----|--------------|--------------|----|-----|---------|
| 8. | JH9-白条 | SPFFA308022V | 1 | PVC | |
| 7. | JH9-15A罩盖 | 6JH9A701750V | 1 | PC | 透明 |
| 6. | JH9-导轨 | 6JHYDD00UAV | 1 | 铝 | |
| 5. | M3*8-6*6(螺丝) | SQFFA308029V | 2P | 碳钢 | 镀三价铬五彩锌 |
| 4. | JH9-固定件 | 6JHYDD063AV | 2 | 铁 | 镀锌 |
| 3. | JH9-15导电件 | 6JH9BDD015AV | P | 黄铜 | 镀镍 |
| 2. | JH9-15G-挡板 | 6JH9G301750V | 2 | PC | 黑色 |
| 1. | JH9-15A-主体 | 6JH9A301750V | P | PC | 黑色 |

| NO. | NAME OF PART | NO. OF PART | Q'TY | MATERIAL | NOTES |
|------|--------------|-------------|------------|----------|-------|
| DES. | CMZ | DATE | 2026/05/08 | UNITS | MM |
| CHK. | | DATE | | SIZE | A4 |
| APP. | | DATE | | SCALE | 1:1 |



上海联捷电气有限公司
Shanghai Elinker Electric CO.,LTD

| TITLE | JH9-15XX-1Y-00A |
|-------|-----------------|
| | JH9-15A-成品 |